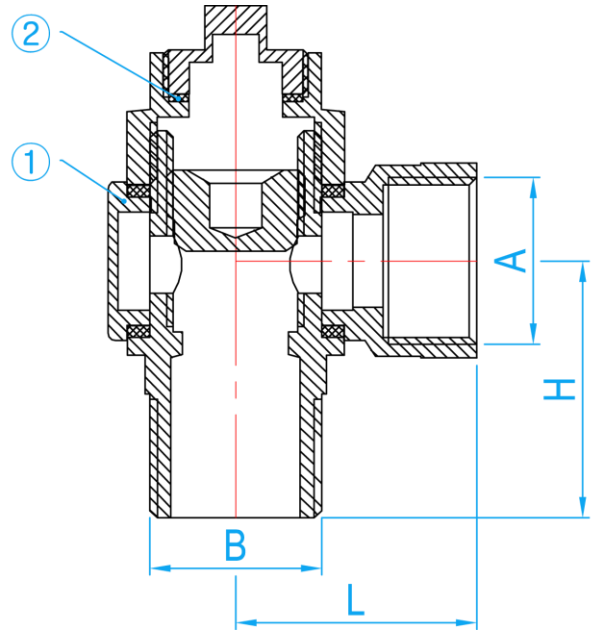


DZR BRASS SWIVEL FERRULE

COMPLY WITH BSEN1254-2:1998
BS EN 12165:2016
AS/ NZS 4020:2005
SS 375: 2015
SS 270: 2015



SECTION VIEW

COMPONENT PARTS

ITEM	PARTS	MATERIAL
1	Body	DZR Brass
2	Gasket	EPDM

DIMENSIONS

SKU	A×B (inch)	L (mm)	H (mm)	WEIGHT (kg)	PCS/CTN
CRSF025	1" BSP × 1" BSPT	47.7	50	0.600	40